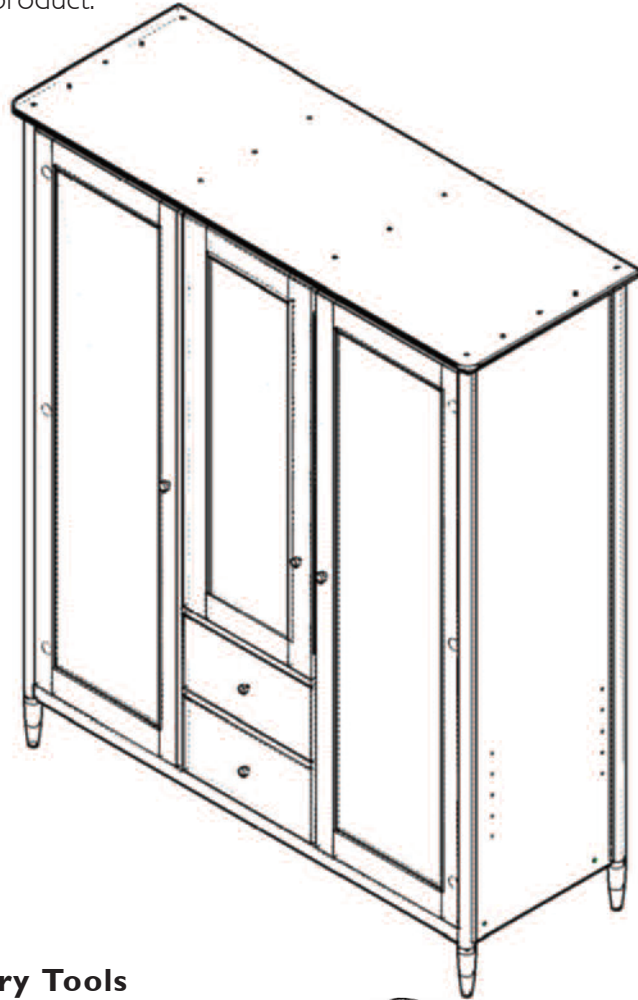


ercol

teramo 2687 3 door wardrobe

Thank you for purchasing this teramo 3 door wardrobe. Please read the instructions carefully before use to ensure safe and satisfactory operation of this product.



This item is **HEAVY**



Necessary Tools



Pre-assembly preparation

Please ensure instructions are read in full before attempting to assemble this product

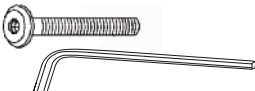
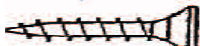




Please check the pack contents before attempting to assemble this product. A full checklist of components is given in this leaflet. If any components are missing, please contact the retailer from whom you bought this product.

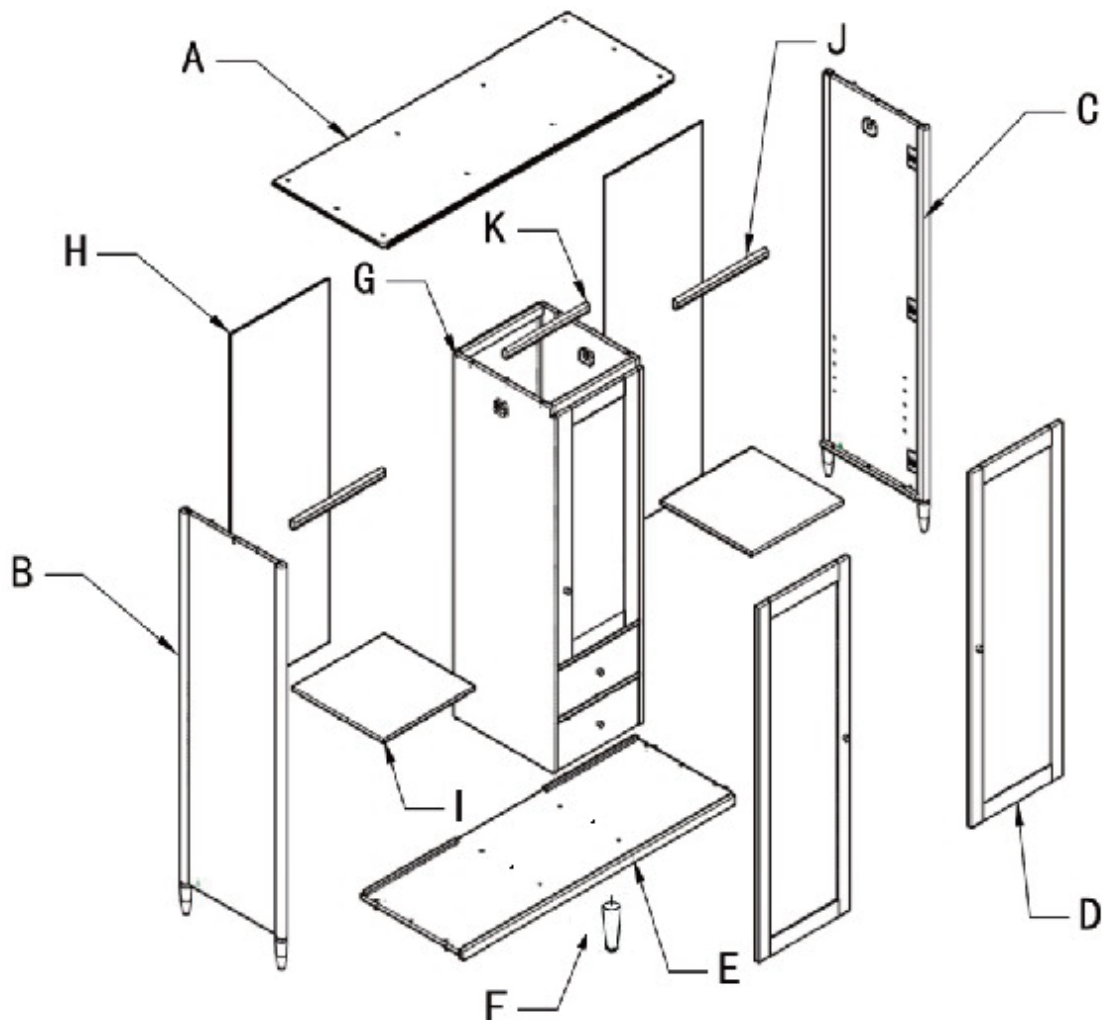
This product is **HEAVY**, it should be assembled as near as possible to the point of use. **TAKE CARE WHEN LIFTING** to avoid personal injury and (or) damage to the product.

This product takes approximately **40 MINUTES** to assemble with **2 PEOPLE**.

The fittings pack contains **SMALL ITEMS** which should be **KEPT AWAY FROM YOUNG CHILDREN**.

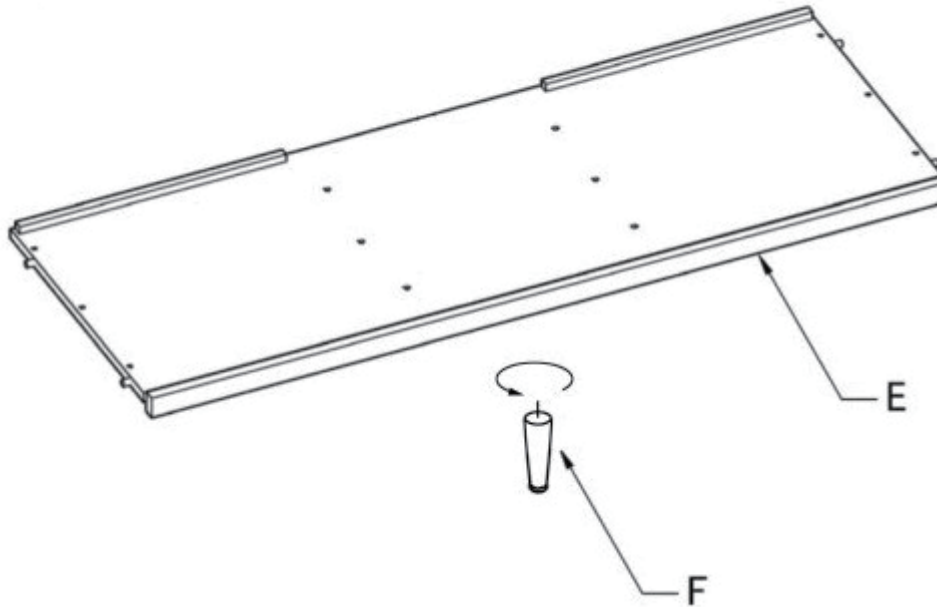
Fittings and parts checklist

A	Top panel x 1	J	L/R hanging rails x 2	
B	LH side panel x 1	K	Middle hanging rail x 1	
C	RH side panel x 1	L & M	Allen bolts x 22 Allen key x 1	
D	Left & Right doors x 2	N	30mm Screws x 2	
E	Bottom panel x 1	O	16mm round head Screws x 40	
F	Support leg x 1	P	Shelf pins x 8	
G	Middle section x 1	Q	16mm screws x 8	
H	Back panels x 2	R	Brackets x 2 Strap x 1	
I	Shelves x 2	S	Wedges x 2	



Step by step assembly instructions

1. First turn the support leg F onto the bottom of panel E as shown below.

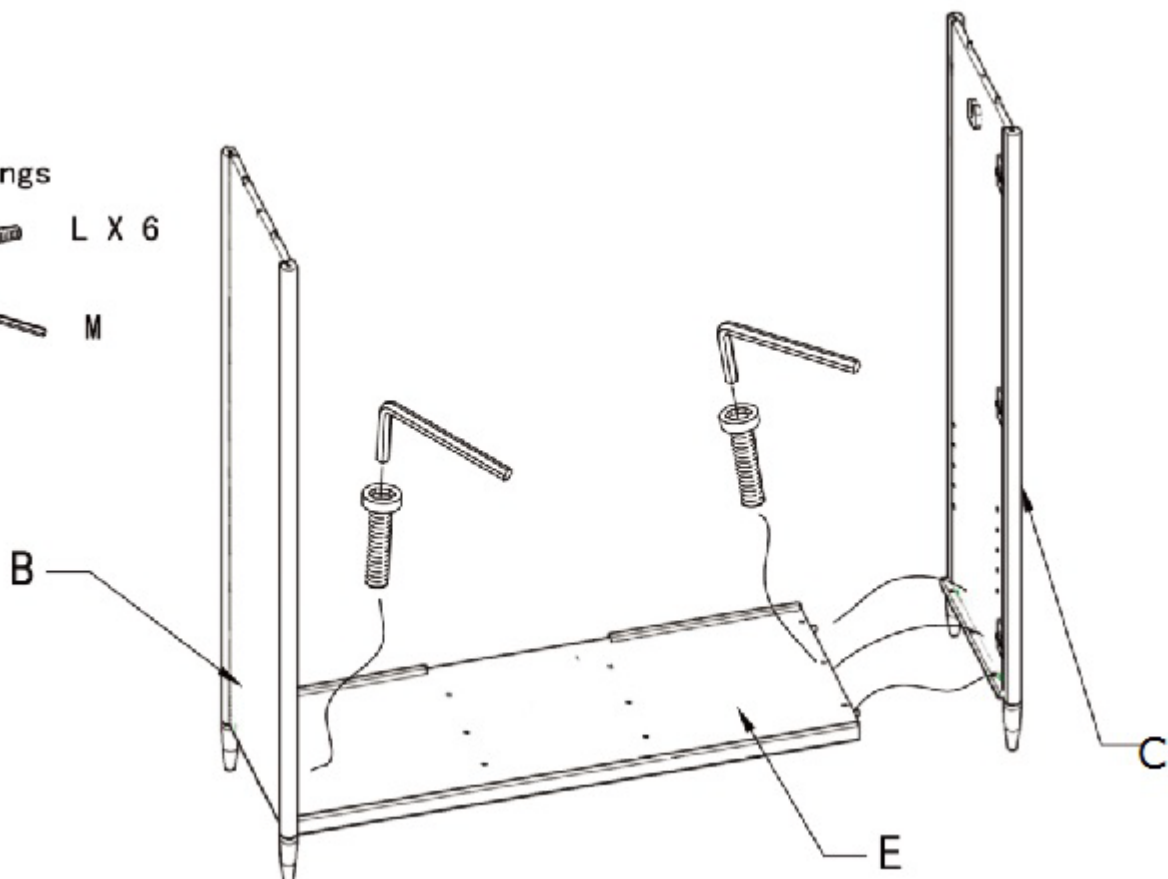


2. Using 6 of the allen bolts attach the side panels B & C to the bottom panel E.

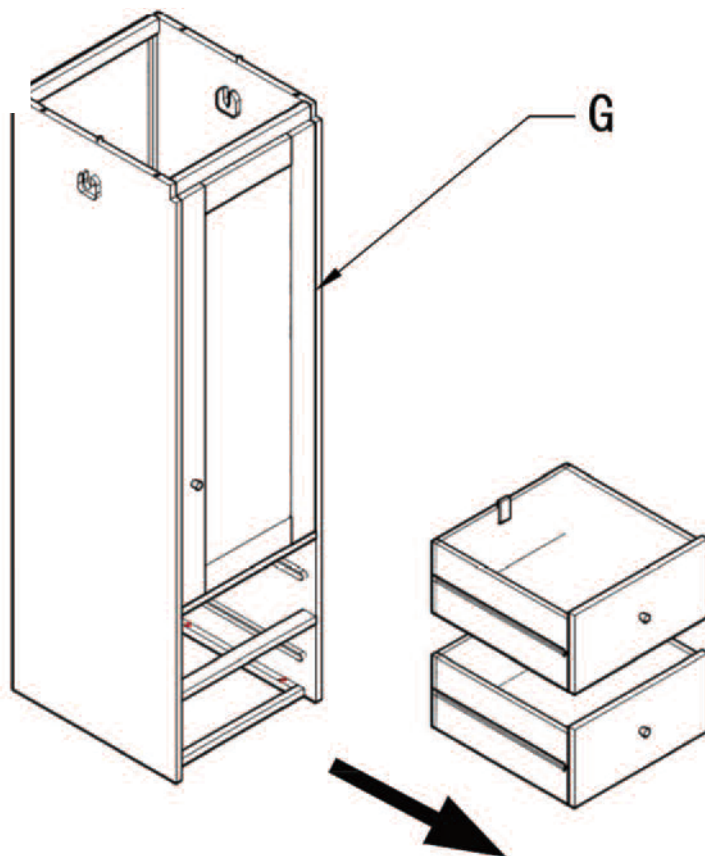
Fittings

 L X 6

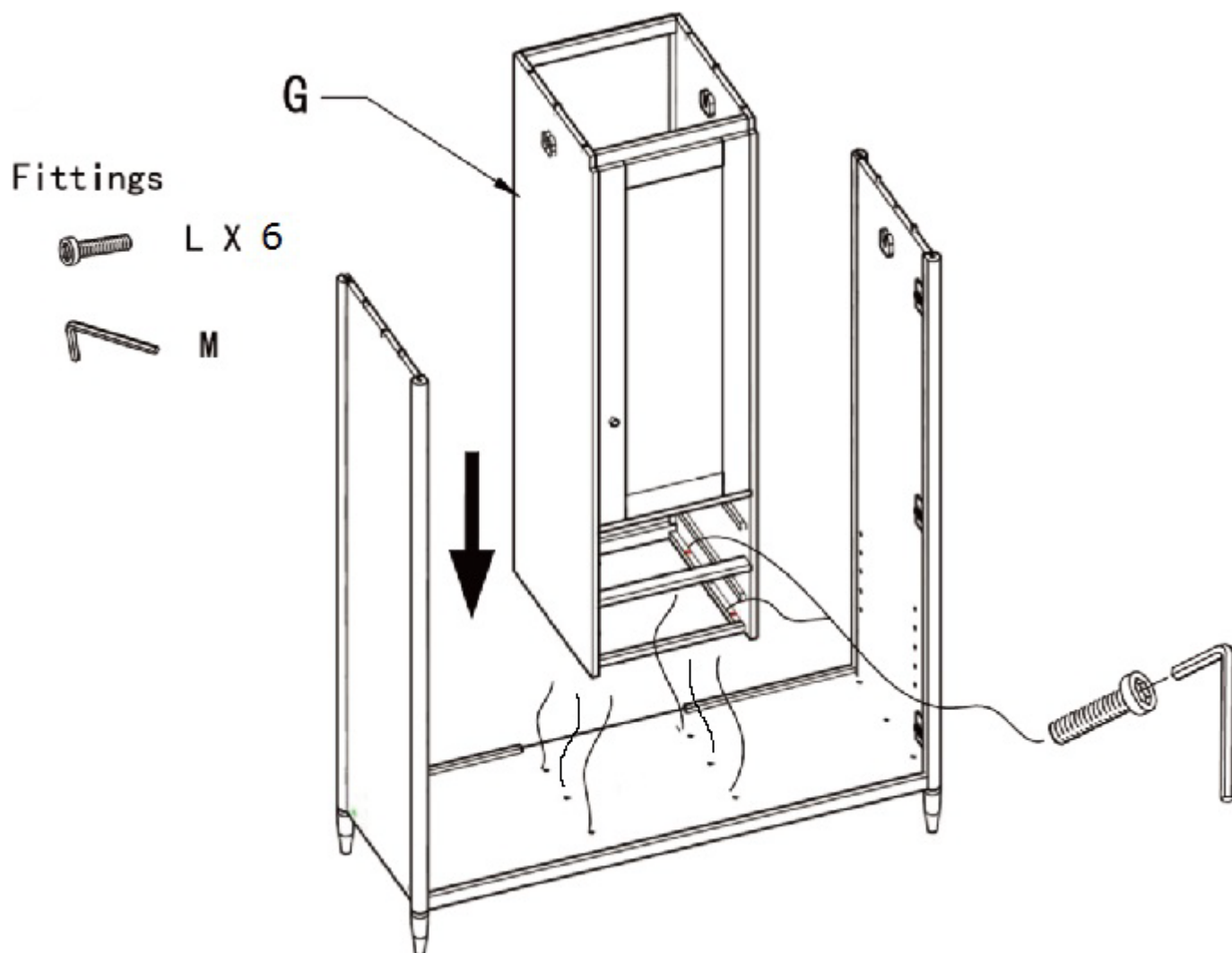
 M



3. Take the two drawers out of the middle section, G.



4. Using 6 of the allen key bolts L attach the middle section to the base of the wardrobe (E) as shown.

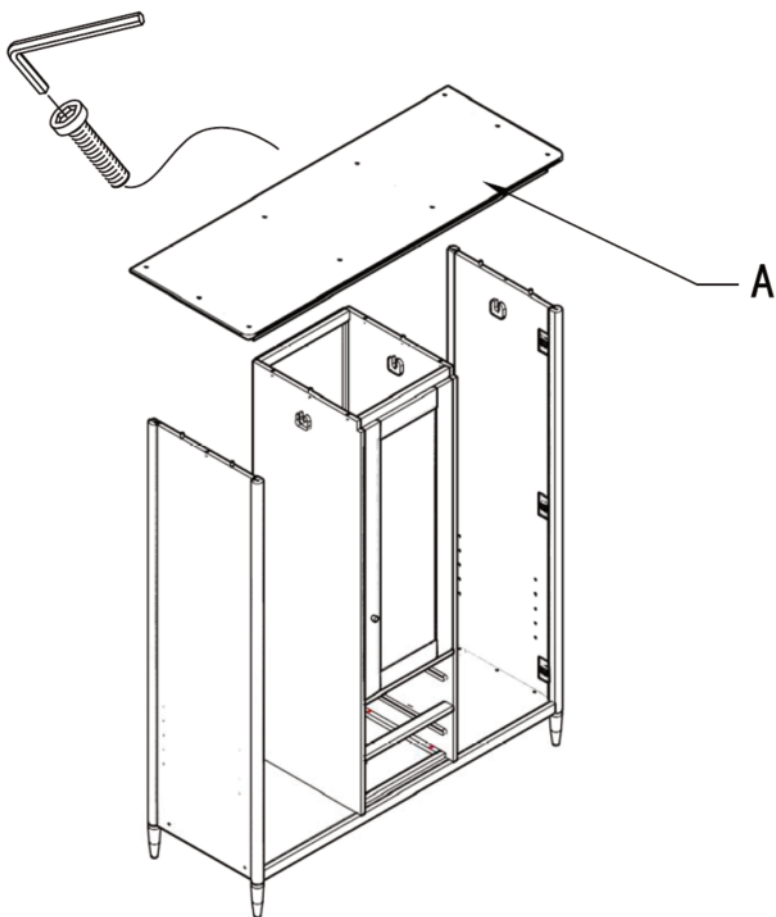


5. Using 10 allen bolts, L, fix the top panel to the wardrobe as shown.

Fittings

 L X 10

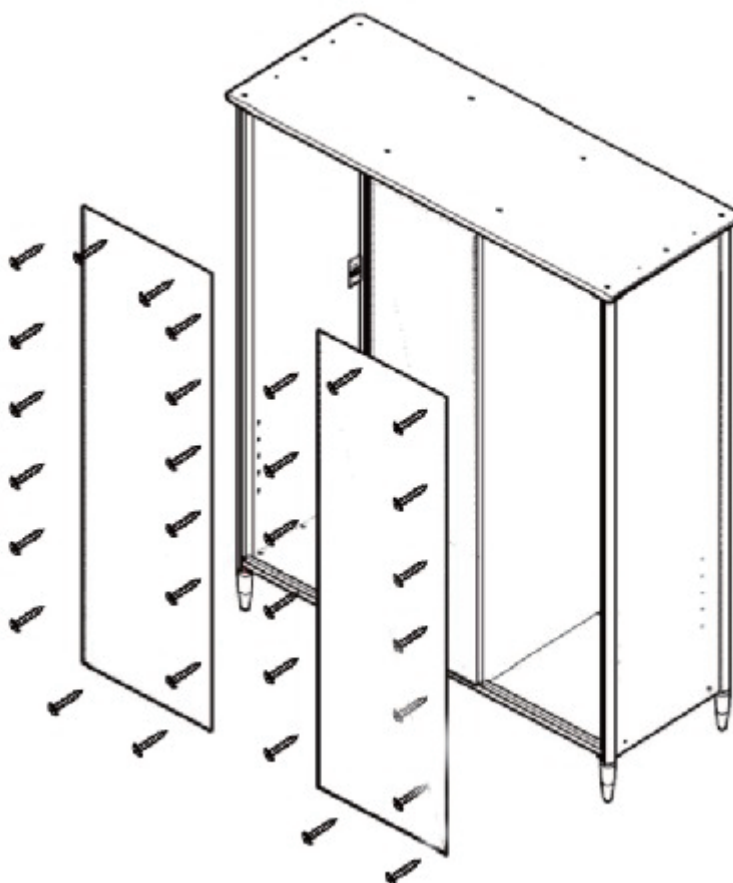
 M



6. Using 40 of the 16mm round head screws O, attach the two back panels H onto the back of the wardrobe.

Fittings

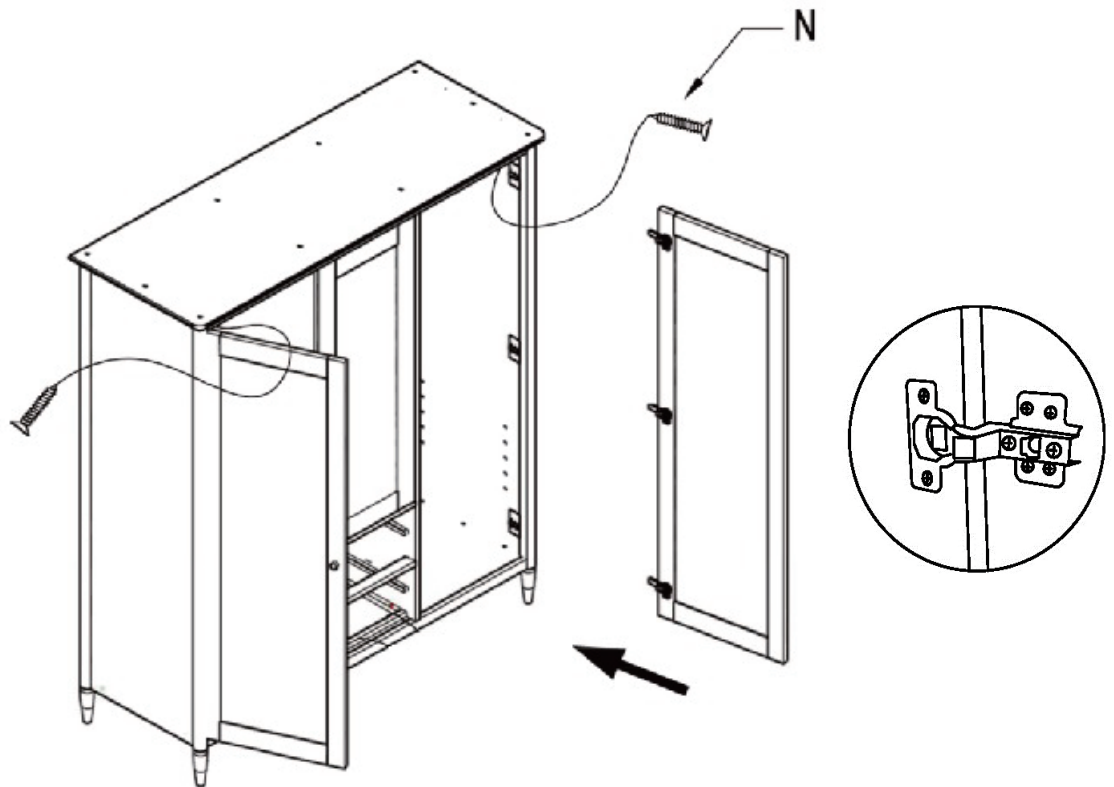
 O X 40



7. Using the 2x 30mm screws, N, attach the top panel to the sides through the pre drilled holes inside the wardrobe. Attach the bottom of the middle section to the bottom of the wardrobe as shown below. Then attach the L/R doors onto their hinges. Attach the door panels onto the side panels as shown below.


Fittings

 N X 2

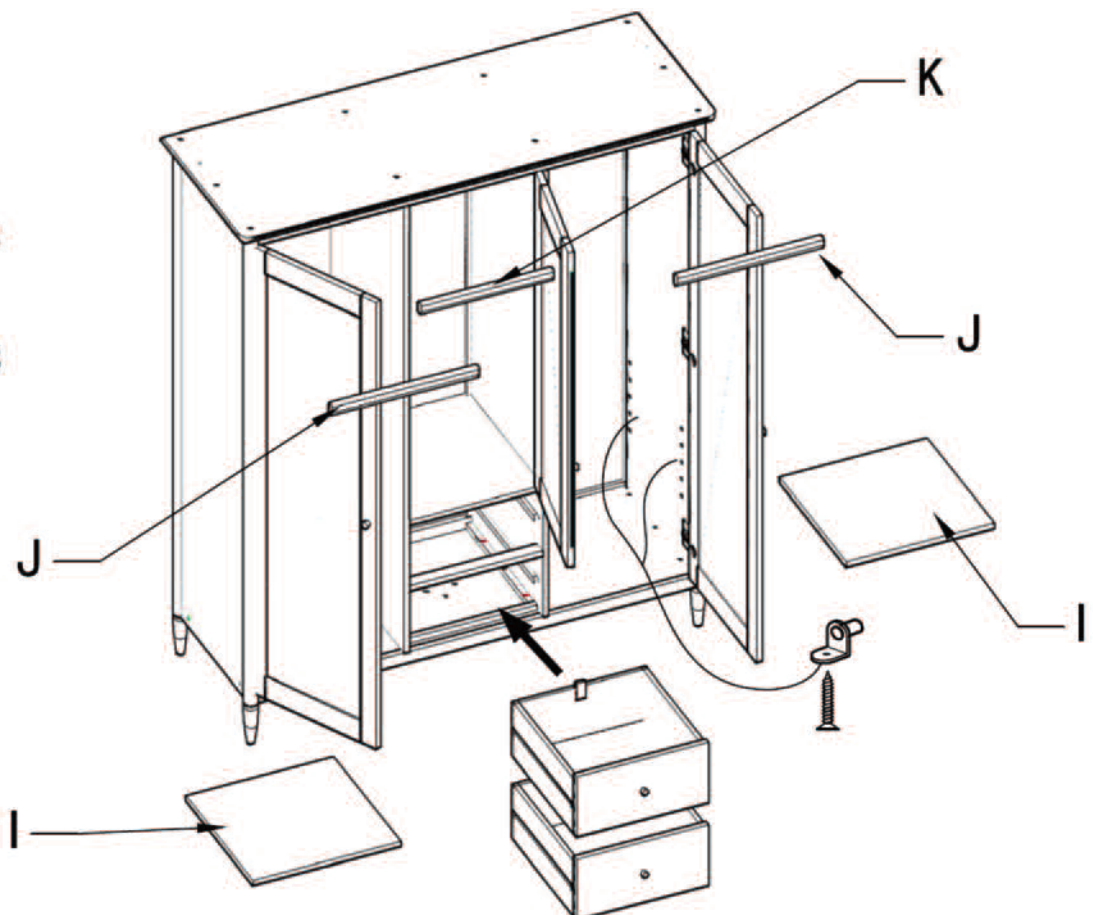


8. Sit the hanging rails J and K into their brackets in the wardrobe. Put the drawers back into the middle section. Choose where you would like the two shelves to sit and put the 8 shelf hooks into the pre drilled holes accordingly, as shown. Rest the shelves on the hooks and using the 16mm screws, Q, screw them up through the shelf hooks and into the bottom of the shelves to hold them securely in place.

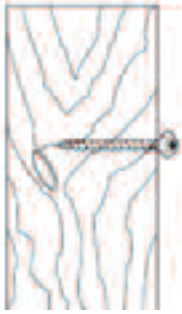
Fittings

 P X 8

 Q X 8



Wall fixing - if in doubt seek professional advice



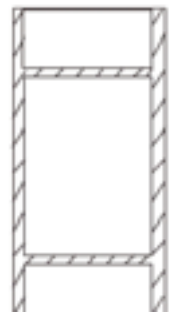
Wood

If fixing to wood make sure that it isn't chipboard as screws can easily pull away from the core structure



Brick or Masonry

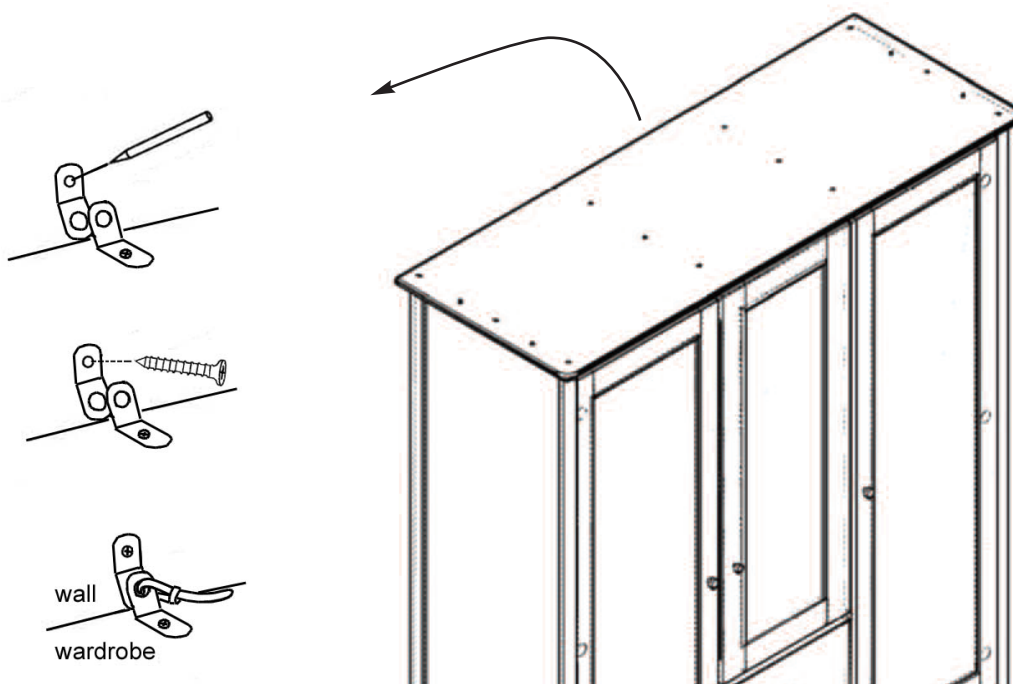
Use an appropriate wall plug provided you are sure your wall is sound



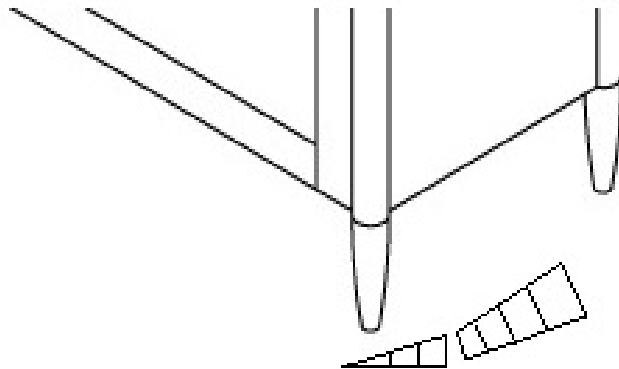
Cavity wall

Special toggle wall plugs are needed. Seek expert advice

9. Screw one of the brackets onto the top of the wardrobe in the middle of the back, see below. Position the wardrobe against the wall where you want it to go, place the second bracket onto the wall above the one fixed to the wardrobe and mark where the hole come on the wall. Move the wardrobe away from the wall.
10. Attach the wall bracket **using screws suitable for your type of wall**, see **Wall fixings** above.
11. Place the wardrobe back against the wall so the two brackets match up and tie them together with the plastic strap provided. The plates need not match exactly, but the plastic tie must go through each plate. Close the strap, but do not over tighten it. See diagrams below.

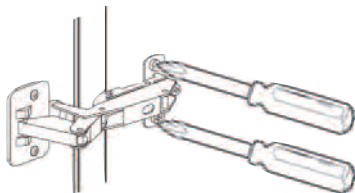


12. If the wardrobe is not level on your floor, use the wedges provided. Snap them off so they do not protrude out from the wardrobes legs. You can also snap them lengthways.

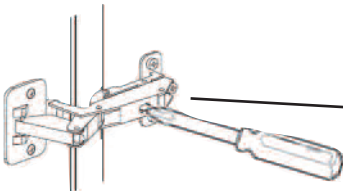


13. Check that the doors are aligned correctly. If necessary adjust the door hinges as shown below

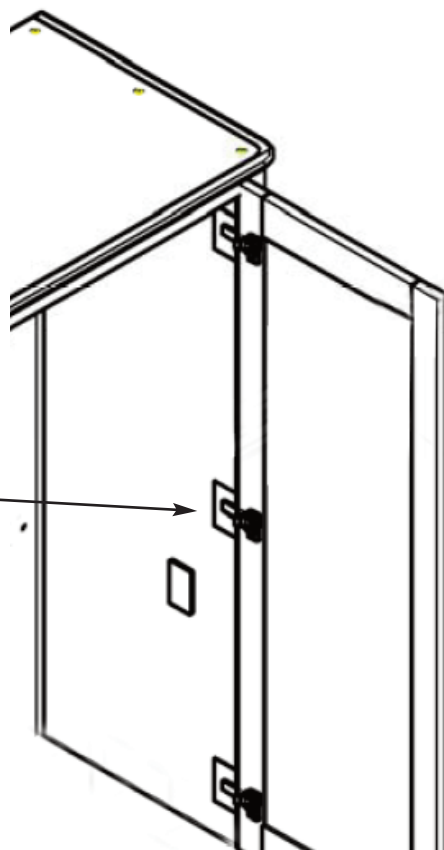
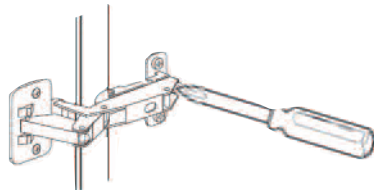
Vertically



Horizontally



Sideways



Care and maintenance

Wood Furniture

Wood displays different grain patterns depending on which way it is cut - for example, the 'medullary ray' which can appear on oak furniture is a mark of good quality timber - these are just characteristics of the natural beauty of the wood. Some furniture is also deliberately aged and rustic.

All timber surfaces will change colour and mellow over time. New furniture will initially vary in shade from items that have been previously purchased.

How to care for your wood furniture

Furniture with a hard lacquer, wax polish or painted surface should be dusted with a dry cloth.

When using the surface for serving food and drinks it is best to use protective mats and coasters.

Spillages should be wiped up as soon as possible.

Spray polishes are best avoided as they contain silicones which may spoil the furniture's surface by building up over time. **Use of cleaning materials containing abrasive compounds, acidic or caustic reagents and any bleaches containing oxidising reagents should be avoided as prolonged use may damage the lacquer surface.**

Wipe up spills immediately. If sticky marks occur on the surface they can be removed with a dilute solution of warm soapy water. **The offending area should be rubbed lightly and then completely dried immediately afterwards, before replacing any mats etc.**

Our furniture will endure most temperatures in the home but it is best to avoid placing furniture next to heat sources such as radiators or fires. Be particularly careful with solid wood as the lack of humidity caused by central heating can cause damage such as warping.

Safety Instructions

Never drag furniture when moving it, always lift it. Please take care when handling or moving the furniture as careless handling may cause damage or injury. No liability will be accepted for damage or injury caused by incorrectly installed furniture.

PLEASE KEEP THESE INSTRUCTIONS FOR FUTURE REFERENCE

Ercol Furniture Ltd, Summerleys Road, Princes Risborough, Buckinghamshire. HP27 9PX www.ercol.com